

RoHS Compliant

Industrial microSD Card Series

Datasheet for SLC NAND-based Industrial microSD Card

March 24, 2014

Revision 1.0



***This Specification Describes the Features and Capabilities of
the Standard and Industrial Temperature
Industrial microSD Cards***

***Please Contact Fortasa Memory Systems Sales for any Custom
Features Required For Your Specific Application***



4151 Middlefield Road
2nd Floor
Palo Alto, CA 94303 USA
888-367-8588
www.fortasa.com

Features:

- **Fully compatible with microSD Card standard specification 3.0**
- **Low power consumption (typical)**
 - Supply voltage: 2.7 – 3.6V
 - Operating mode: 50 mA
 - Standby mode: 100 μ A
- **Performance**
 - Sustained Read: up to 20 MB/sec
 - Sustained write: up to 16 MB/sec
- **Capacity**
 - 256, 512MB, 1, 2,4 GB
- **NAND flash type: SLC**
- **Temperature ranges**
 - Operation:
 - Standard Temperature: -25 °C to 85 °C
 - Industrial Temperature: -40 °C to 85 °C
 - Storage: -40 °C to 100 °C
- **Intelligent endurance design**
 - Built-in hardware ECC, enabling up to 24 bit correction per 1Kbyte page size
 - Global wear-leveling scheme together with dynamical block allocation to significantly increase the lifetime of a flash device and optimize the disk performance
 - Flash bad-block management
- **Endurance (TBW: Terabytes Written)**
 - 1GB: 12 TBW
 - 2GB: 24 TBW
 - 4GB: 49 TBW
- **Physical Dimensions**
 - 15.0 mm(L) x 11.0 mm(W) x 1.0 mm(H)
- **RoHS compliant**



Table of Contents

- 1 Product Description..... 4
 - 1.1 General Description 4
 - 1.2 Functional Block 4
 - 1.3 Functional Description 5
 - 1.3.1 Flash Management 5
 - 1.3.2 Powerful ECC Algorithm 5
 - 1.3.3 Power Management 5
 - 1.4 Capacity Specification 5
 - 1.5 Performance Specification 6
 - 1.6 Card Architecture 6
 - 1.7 Pin Assignments..... 6
- 2. Environmental Specifications 7
 - 2.1 Environments 7
- 3. Electrical Specification 8
 - 3.1 Operating Voltage 8
 - 3.2 Power Consumption 8
 - 3.3 TBW Endurance..... 8
- 4. Physical Dimensions 9
- 5. AC Characteristics..... 11
 - 5.1 Bus Interface Timing (Standard)..... 11
 - 5.2 Bus Interface Timing (High-speed)..... 10
- 6. Product Ordering Information..... 11
 - 6.1 Product Code Designations 11
 - 6.2 Valid Combinations 12
- 7. Revision History..... 13

1 Product Description

1.1 General Description

Fortasa’s Industrial microSD card is a high reliability solid state storage solution designed specifically to address the rigorous requirements of OEM customers. The SLC-NAND based Industrial microSD cards offer the highest endurance, reliability and environmental agility.

1.2 Functional Block

The Industrial microSD card includes a single-chip SD Interface Flash Controller and the flash media. The controller integrates the flash management unit to support multi-channel, multi-bank flash arrays. Figure 1-1 shows the functional block diagram of the Industrial microSD card.

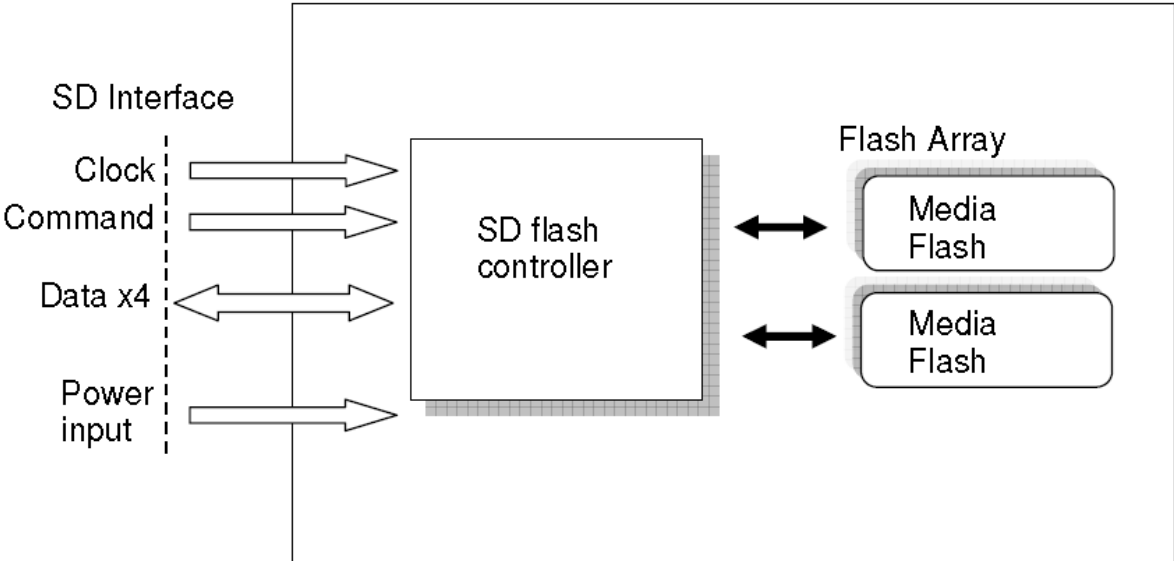


Figure 1-1: Functional block diagram

1.3 Functional Description

The Industrial microSD card contains an integrated logical subsystem that provides multiple management capabilities including:

- Powerful Error Correction Algorithm
- Global Wear Leveling Algorithm
- Critical Power Management for low power operation

1.3.1 Flash Management

The Industrial microSD Flash controller contains logic/physical flash block mapping and bad block management system. It manages all flash blocks including user data space, spare block space and system overhead blocks.

1.3.2 Powerful ECC Algorithm

The Industrial microSD card contains a sophisticated defect and error management system. In case that a bit is found to be defective, the Flash Controller on-the-fly ECC engine mathematically recalculates the missing bit to provide the requested with outmost integrity. This operation is completely transparent to the host and does not consume any user data space. The built-in BCH-ECC supports correction of upto 24 bits of data per 1024 byte sector automatically.

1.3.3 Power Management

A power saving feature of the Industrial microSD card is an automatic entrance and exit from sleep mode. Upon completion of an operation, the microSD card will enter sleep mode to conserve power if no additional commands are received within a set number of seconds. The host does not have to take any action for this to occur. The microSD card is always in the sleep mode except when the host is accessing it, thus conserving power.

Any command issued by the host to the Industrial microSD card will cause it to exit sleep mode and response to the host.

1.4 Capacity Specification

Standard capacity specification of the Industrial microSD product is shown in Table 1-1.

Table 1-1: Capacity specifications

Capacity	User Data Bytes
256MB	255,721,472
512MB	513,540,912
1GB	1,024,065,536
2GB	2,052,718,592
4GB	4,043,309,056

Please contact factory for any non-listed microSD capacity or custom setting requirement.

1.5 Performance Specification

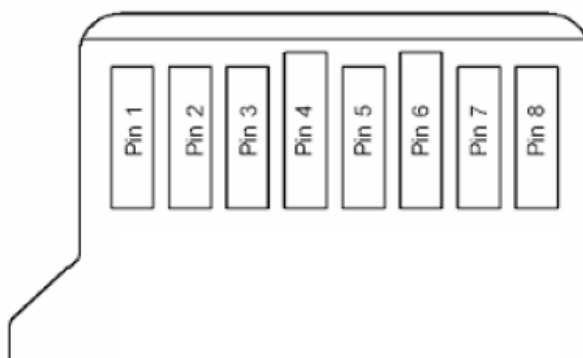
Performances of the Industrial microSD card are listed in Table 1-2.

Table 1-2: Standard Performance specifications

Performance \ Capacity	256MB	512MB	1GB	2GB	4GB
	Performance				
Sustained read (MB/s)	19	20	21	21	21
Sustained write (MB/s)	10	16	15	18	18

Note: Performances vary from flash configurations or host device settings

1.6 Card Architecture



1.7 Pin Assignments

Pin	SD Mode		SPI Mode	
	Name	Description	Name	Description
1	DAT2	Data line[bit 2]	RSV	Reserved
2	CD/DAT3	Card Detect/Data line [bit 3]	CS	Chip select
3	CMD	Command/Response	DI	Data in
4	VDD	Supply voltage	VDD	Supply voltage
5	CLK	Clock	SCLK	Clock
6	VSS	Supply voltage ground	VSS	Supply voltage ground
7	DAT0	Data line[bit 0]	DO	Data out
8	DAT1	Data line[bit 1]	RSV	Reserved

2. Environmental Specifications

2.1 Environments

Environmental specification of the Industrial microSD series follows the MIL-STD-810F standard as shown in Table 2-1.

Table 2-1: Environmental specifications

Environment		Specification
Temperature	Operation	-25°C to 85°C (standard); -40°C to 85°C (industrial)
	Storage	-40°C to 85°C
Humidity	Operation	40°C - 95% RH (Non-condensing)
	Storage	55°C - 93% RH (Non-condensing)
Salt Spray	Non -Operating	3% NaCl Solution Temperature:35°C 24hr

3. Electrical Specification

3.1 Operating Voltage

Caution: Absolute Maximum Stress Ratings – Applied conditions greater than those listed under “Absolute Maximum Stress Ratings” may cause permanent damage to the device. This is a stress rating only and functional operation of the device at these conditions or conditions greater than those defined in the operational sections of this data sheet is not implied. Exposure to absolute maximum stress rating conditions may affect device reliability.

Table 3-1: Operating range

Range	Ambient Temperature	Conditions
Commercial	0°C to +70°C	2.7-3.6 V
Industrial	-40°C to 85°C	

3.2 Power Consumption

Table 3-2 lists the Industrial microSD power consumption.

Table 3-2 Industrial microSD power consumption

Capacity	256MB	512MGB	1GB	2GB	4GB
Performance					
Operating Mode (mA)	65	65	33	34	50
Standby Mode (µA)	150	150	60	60	100

3.3 TBW Endurance

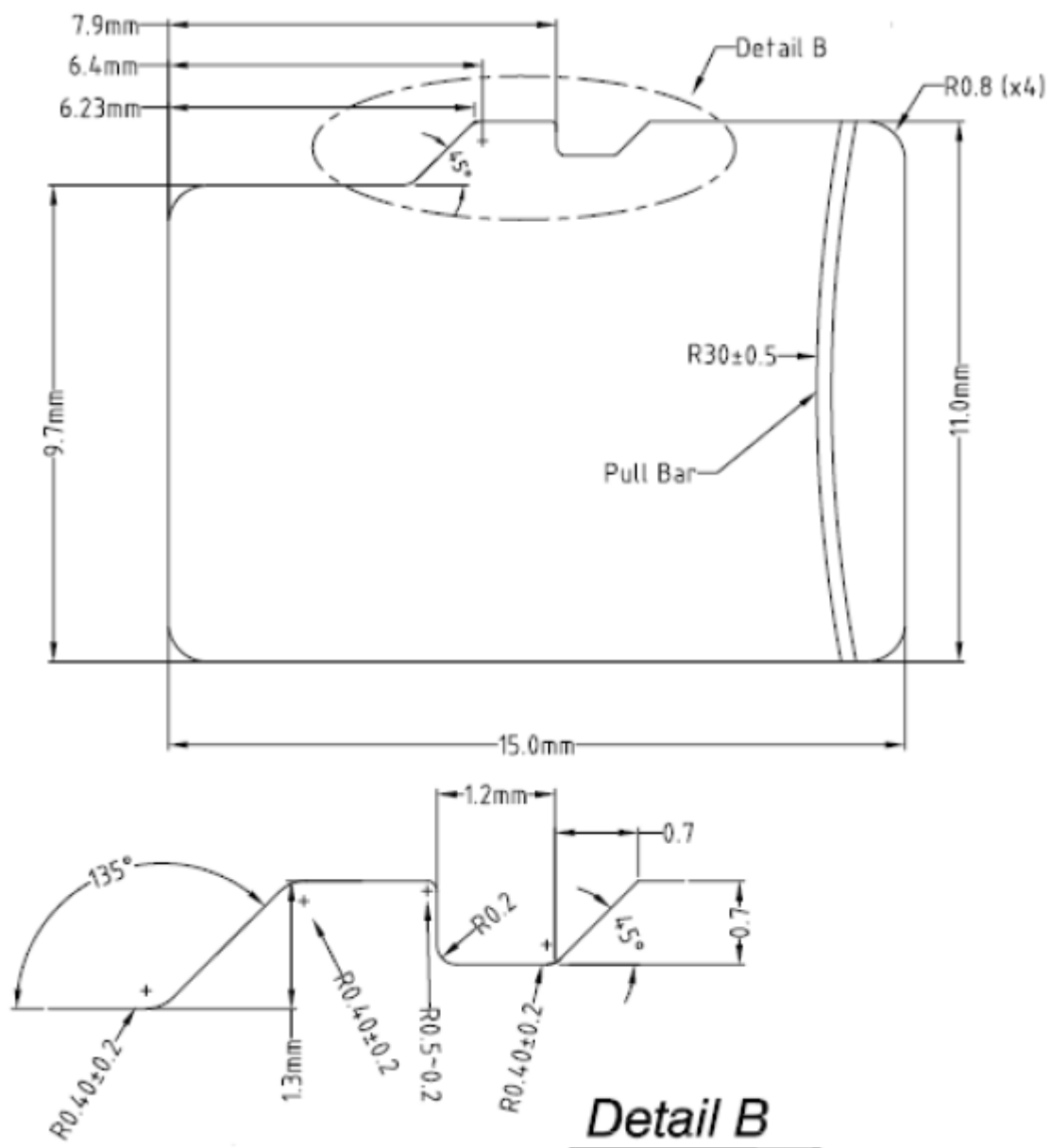
The endurance of a storage device is predicted by TeraBytes Written based on several factors related to usage, such as the amount of data written into the drive, block management conditions, and daily workload for the drive. Thus, key factors, such as Write Amplifications and the number of P/E cycles, can influence the lifespan of the drive.

Capacity	TeraBytes Written
1 GB	12
2 GB	24
4 GB	49

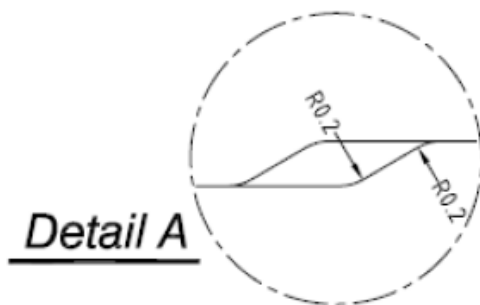
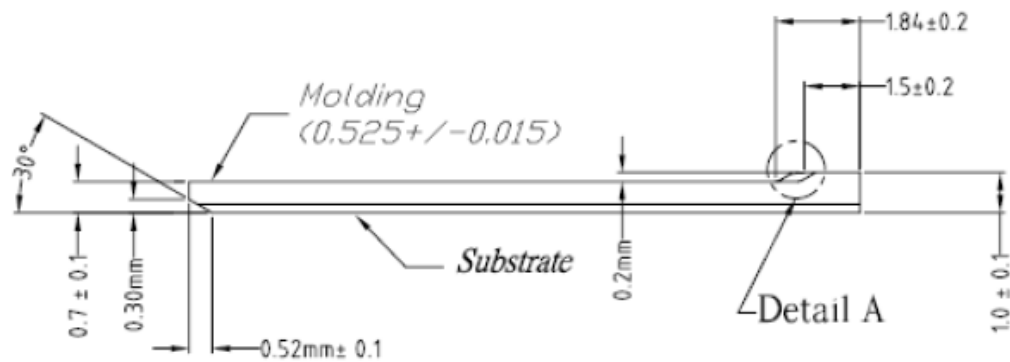
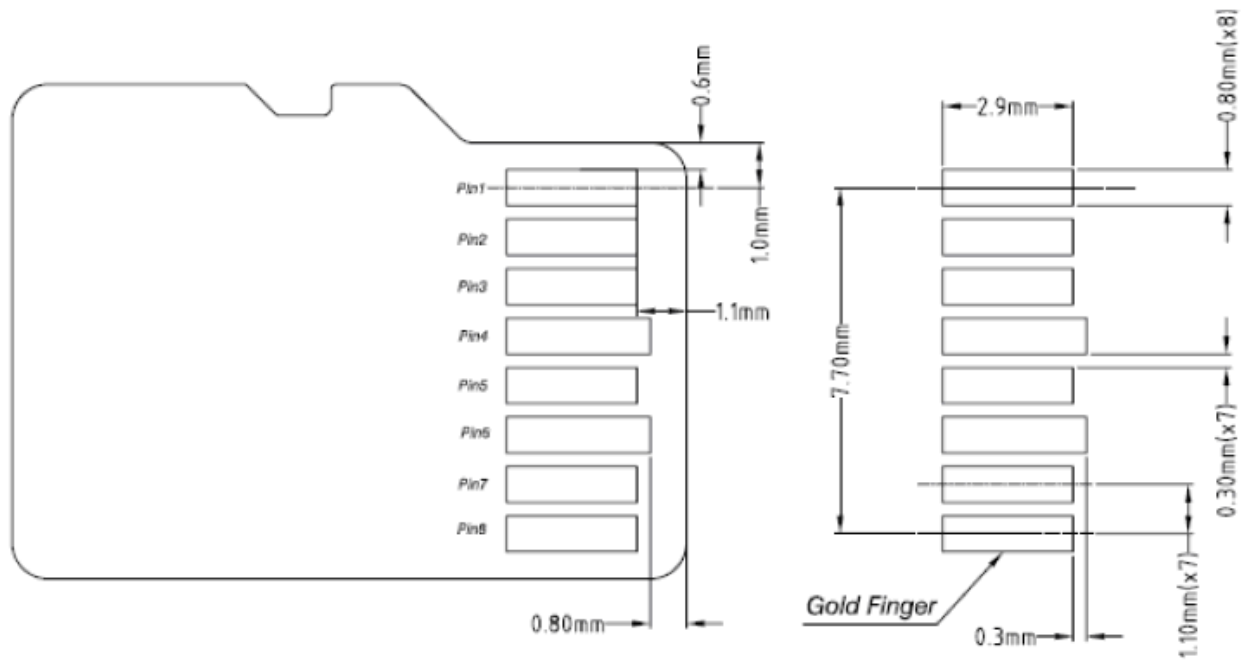
Notes: The measurement assumes the data written to the SSD for test is under a typical and constant rate.
 The measurement follows the standard metric: 1 TB (Terabyte) = 1000 GB

4. Physical Dimensions

Top View

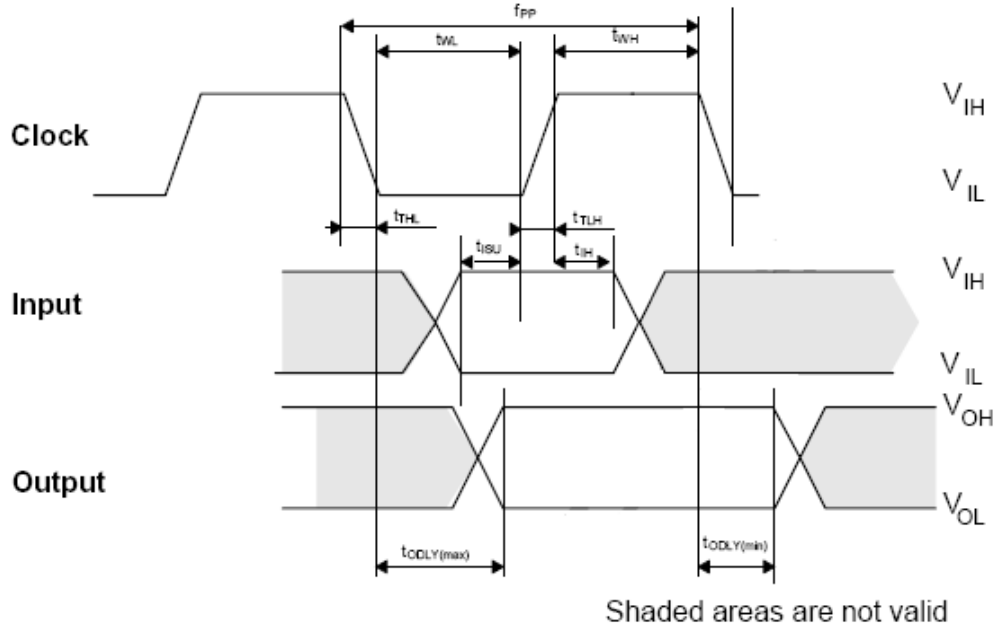


Bottom View



5. AC Characteristics

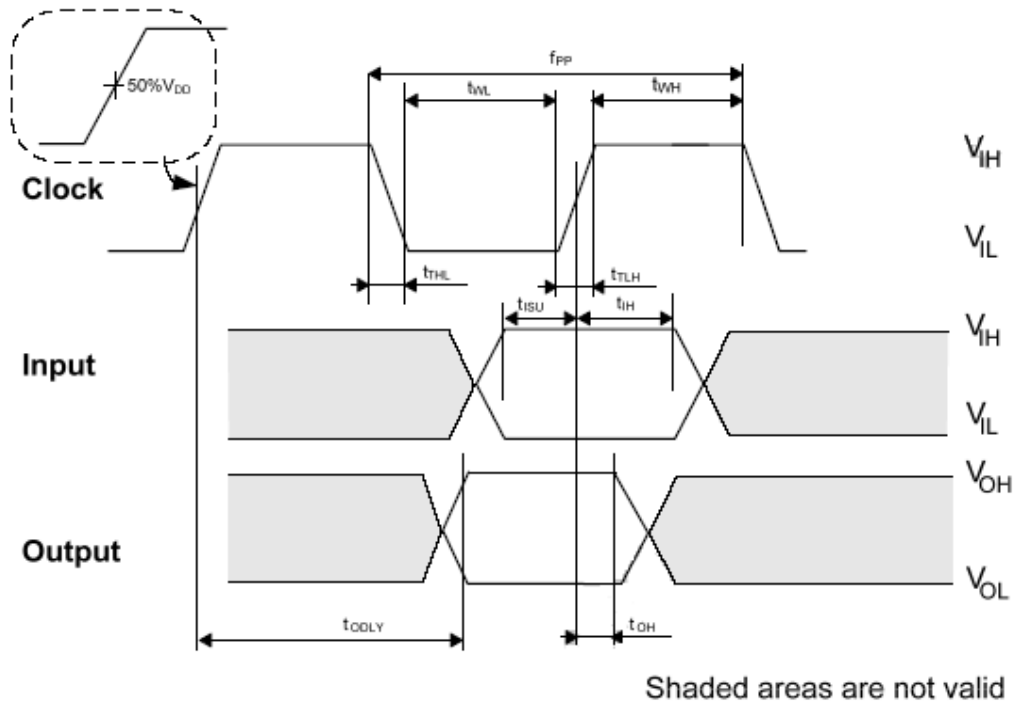
5.1 Bus Interface Timing (Standard)



SYMBOL	PARAMETER	MIN	MAX	UNIT	Note
Clock CLK (All values are referred to min(V _{IH}) and max(V _{IL}))					
f _{PP}	Clock frequency Data Transfer Mode	0	25	MHz	C _{card} ≤ 10 pF
f _{OD}	Clock frequency Identification Mode	0(1)/100	400	kHz	C _{card} ≤ 10 pF
t _{WL}	Clock low time	10	-	ns	C _{card} ≤ 10 pF
t _{WH}	Clock high time	10	-	ns	C _{card} ≤ 10 pF
t _{TLH}	Clock rise time	-	10	ns	C _{card} ≤ 10 pF
t _{THL}	Clock fall time	-	10	ns	C _{card} ≤ 10 pF
t _{ISU}	Input setup time	5	-	ns	C _{card} ≤ 10 pF
t _{IH}	Input hold time	5	-	ns	C _{card} ≤ 10 pF
t _{ODLY}	Output delay time	0	14	ns	C _L ≤ 40 pF (1 card)
t _{ODLY}	Output Delay time during Identification Mode	0	50	ns	C _L ≤ 40 pF (1 card)

(1) 0Hz means to stop the clock. The given minimum frequency range is for cases that requires the clock to be continued.

5.2 Bus Interface Timing (High-speed)

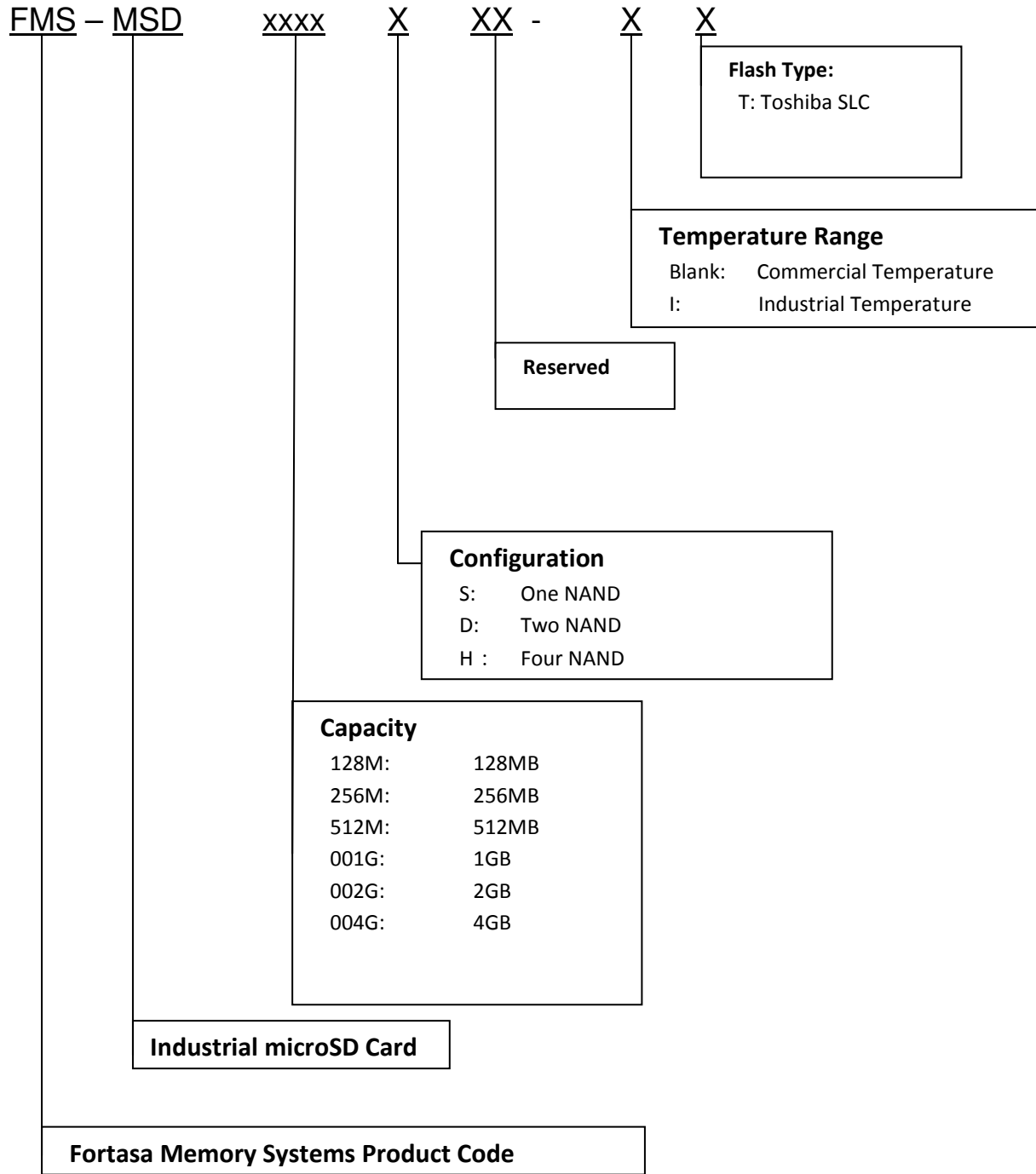


SYMBOL	PARAMETER	MIN	MAX	UNIT	
f_{PP}	Clock frequency data transfer	0	50	MHz	$C_{card} \leq 10$ pF (1 card)
t_{WL}	Clock low time	7	-	ns	$C_{card} \leq 10$ pF (1 card)
t_{WH}	Clock high time	7	-	ns	$C_{card} \leq 10$ pF (1 card)
t_{TLH}	Clock rise time	-	3	ns	$C_{card} \leq 10$ pF (1 card)
t_{THL}	Clock fall time	-	3	ns	$C_{card} \leq 10$ pF (1 card)
t_{ISU}	Input setup time	6	-	ns	$C_{card} \leq 10$ pF (1 card)
t_{IH}	Input hold time	2	-	ns	$C_{card} \leq 10$ pF (1 card)
t_{ODLY}	Output delay time		14	ns	$CL \leq 40$ pF (1 card)
t_{OH}	Output hold time	2.5	50	ns	$CL \leq 15$ pF (1 card)
C_L	System capacitance of each line*		40	pF	$CL \leq 15$ pF (1 card)

*In order to satisfy optimal timing, host shall interface with only one card

6. Product Ordering Information

6.1 Product Code Designations



6.2 Valid Combinations

Capacity	Standard Temperature Model Numbers	Industrial Temperature Model Numbers
128MB	FMS-MSD128MS2A-T	FMS-MSD128MS2B-IT
256MB	FMS-MSD256MS2A-T	FMS-MSD256MS2B-IT
512MB	FMS-MSD512MS2A-T	FMS-MSD512MS2B-IT
1GB	FMS-MSD001GD2A-T	FMS-MSD001GD2B-IT
2GB	FMS-MSD002GD2A-T	FMS-MSD002GD2B-IT
4GB	FMS-MSD004GH2A-T	FMS-MSD004GH2B-IT

Note: Valid combinations are those products in mass production or will be in mass production. Consult your Fortasa sales representative to confirm availability of valid combinations and to determine availability of new product combinations



7. Revision History

Revision	Date	Description	Comments
1.0	03/24/2014	Initial Release	